

OPTIONAL 3.5-in. CURB DEFLECTOR (EXTENDS 4-in. BEYOND CURB OPENING ON EACH SIDE)

FLAP OPENING FOR GRATE

SIZE: L" X W"

PART NUMBERS

9850	9858
9851	9859
9852	9860
9853	9861
9855	9862
9856	9863
9857	



ULTRATECH
INTERNATIONAL, INC.

ULTRATECH INTERNATIONAL, INC.
11542 DAVIS CREEK COURT
JACKSONVILLE, FL 32256

800-764-9563 <https://www.spilcontainment.com>

DO NOT SCALE DRAWING

	NAME	DATE
DRAWN	AJT	08/16/24
CHECKED	MPC	08/16/24
ENG APPR.		
MFG APPR.		
Q.A.		

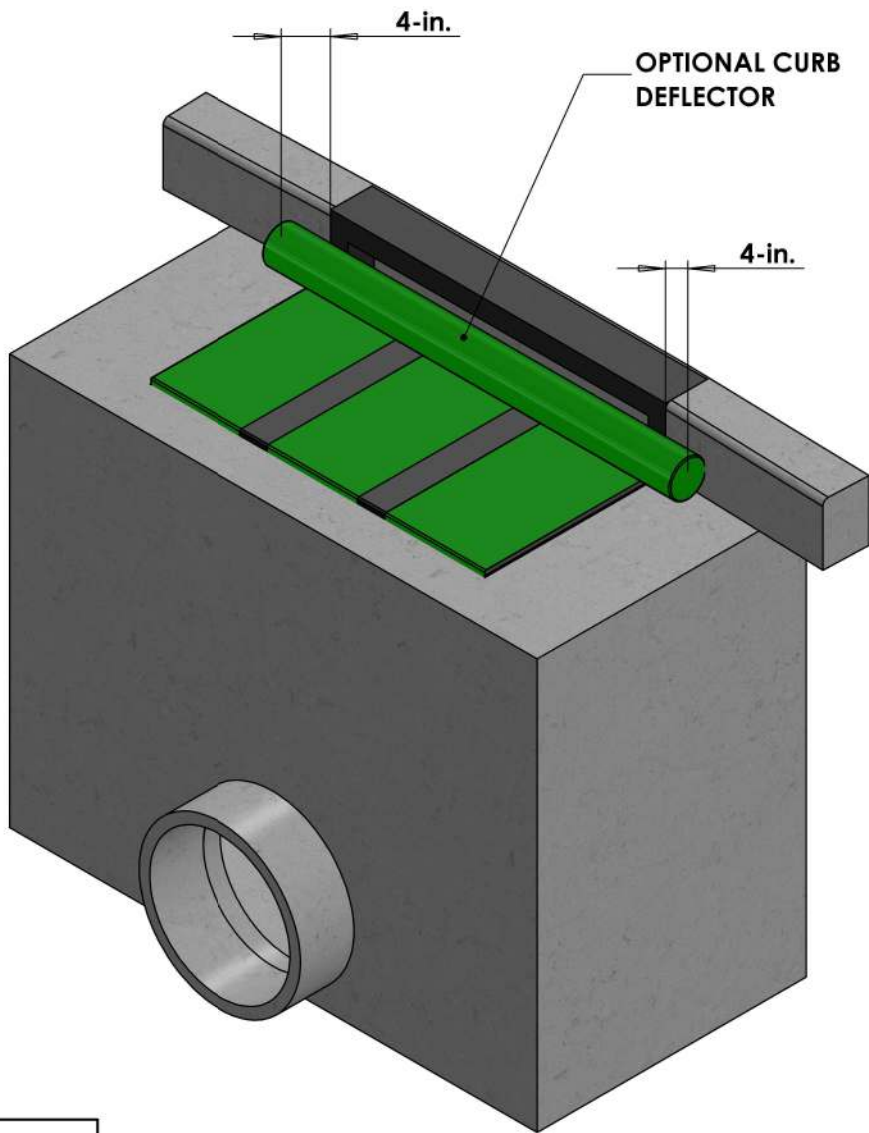
COMMENTS:

ULTRATECH INTERNATIONAL, INC.

**ULTRA-GRATE GUARD
WITH OPTIONAL CURB
DEFLECTOR**

SIZE A	DWG. NO. 240816-01	REV. 0
SCALE: NTS	WEIGHT:	SHEET 1 OF 2

PROPRIETARY AND CONFIDENTIAL
THE INFORMATION CONTAINED IN THIS DRAWING IS THE SOLE PROPERTY OF ULTRATECH INTERNATIONAL, INC. ANY REPRODUCTION IN PART OR AS A WHOLE WITHOUT THE WRITTEN PERMISSION OF ULTRATECH INTERNATIONAL, INC. IS PROHIBITED.



PART NUMBERS	
9850	9858
9851	9859
9852	9860
9853	9861
9855	9862
9856	9863
9857	



ULTRATECH
INTERNATIONAL, INC.

ULTRATECH INTERNATIONAL, INC.
11542 DAVIS CREEK COURT
JACKSONVILLE, FL 32256

800-764-9563 <https://www.spillcontainment.com>

DO NOT SCALE DRAWING

	NAME	DATE
DRAWN	AJT	08/16/24
CHECKED	MPC	08/16/24
ENG APPR.		
MFG APPR.		
Q.A.		

COMMENTS:

ULTRATECH INTERNATIONAL, INC.

**ULTRA-GRATE GUARD
WITH OPTIONAL CURB
DEFLECTOR**

SIZE	DWG. NO.	REV.
A	240816-01	0
SCALE: NTS	WEIGHT:	SHEET 2 OF 2

PROPRIETARY AND CONFIDENTIAL
THE INFORMATION CONTAINED IN THIS DRAWING IS THE SOLE PROPERTY OF ULTRATECH INTERNATIONAL, INC. ANY REPRODUCTION IN PART OR AS A WHOLE WITHOUT THE WRITTEN PERMISSION OF ULTRATECH INTERNATIONAL, INC. IS PROHIBITED.