

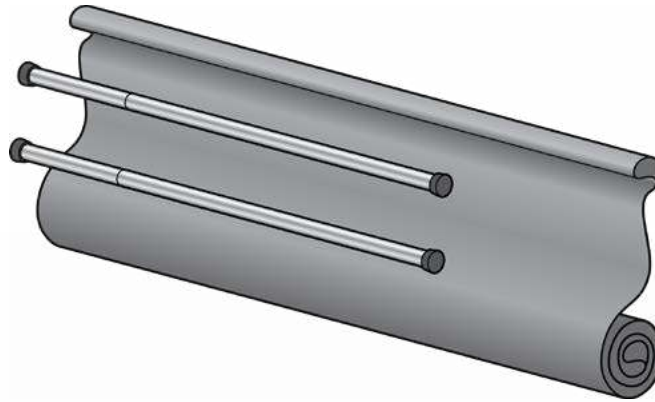


ULTRATECH
INTERNATIONAL, INC

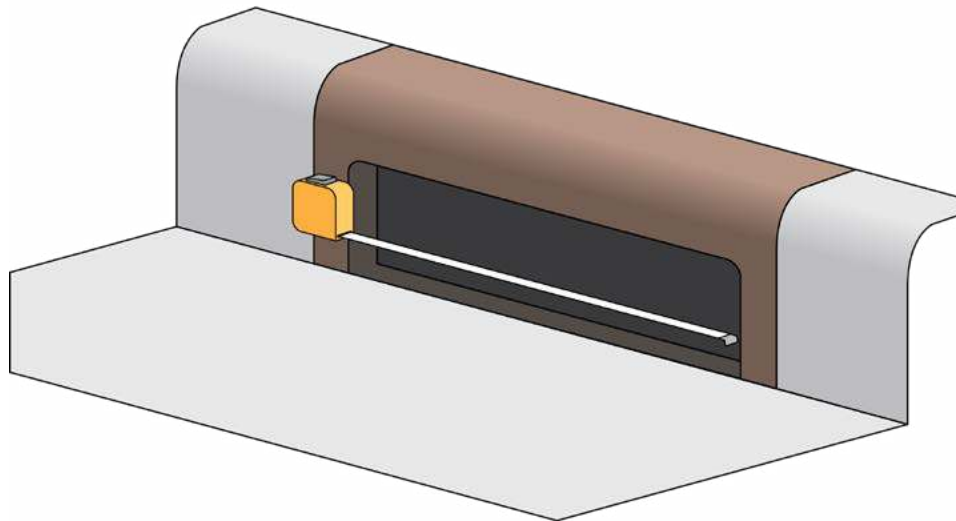
Ultra-Curb Guard, Insert Style

Installation Instructions

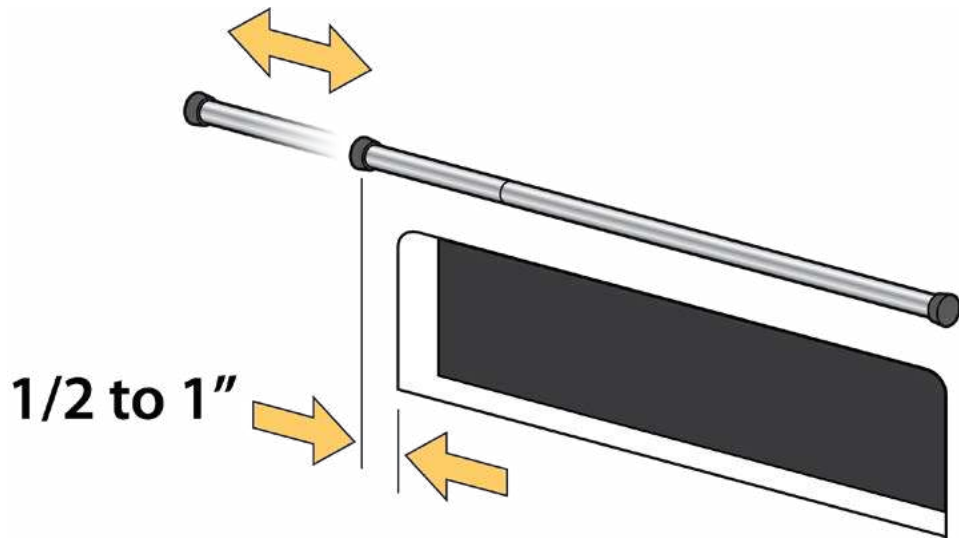
Step 1: Confirm you have two Tension Rods and the Filter Insert Material with pockets sewn into the top and bottom to make the material look like a scroll.



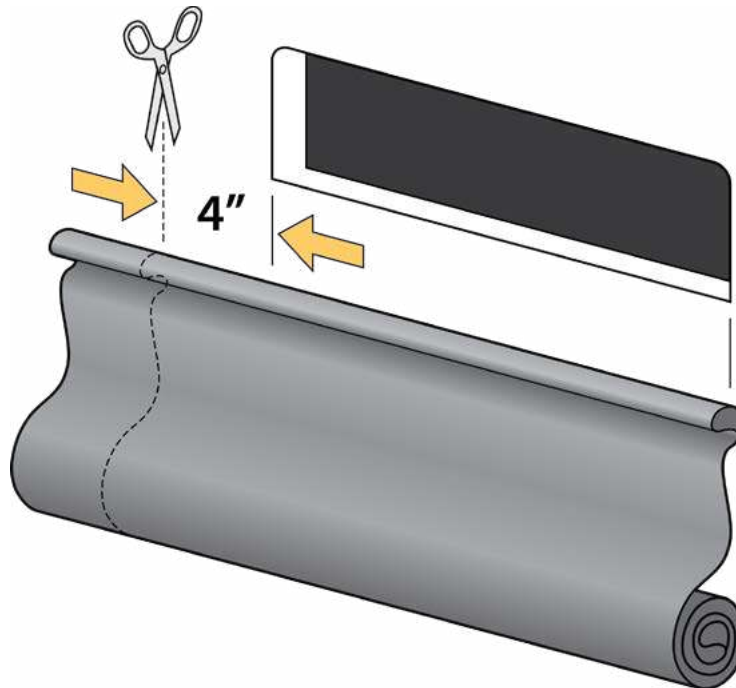
Step 2: Measure the opening of the curb inlet at the point where the Tension rods will be placed at the top and bottom of the inlet opening. The top tension will be placed 1" from the top of the opening to allow emergency overflow in a flood-type situation. The bottom rod will be placed against the bottom of the opening. For both the top and bottom tension rod, they should be placed in the inlet opening so they will be flush with the curb face when installed.



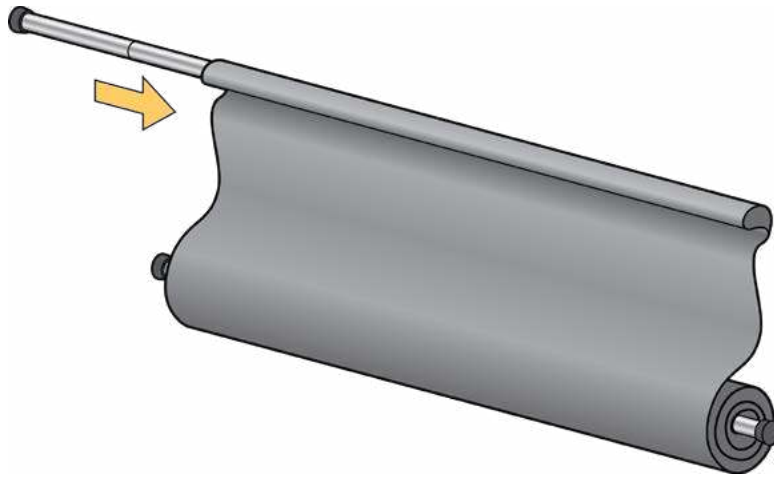
Step 3: Lengthen or shorten each tension rod to be approximately $\frac{1}{2}$ "-1" longer than the dimension you measured in Step 2. This will allow you to compress the spring in the tension rod as you insert it to assure a tight and secure fit.



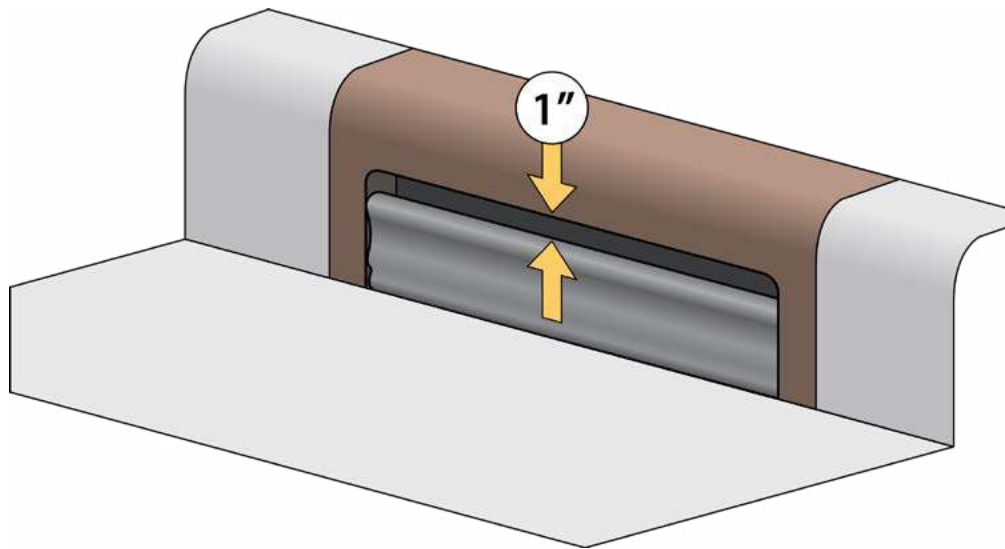
Step 4: Lay the Filter Insert out and cut the material so that it is 4" longer than the opening of the curb.



Step 5: Insert the tension rod measured for the top into the single layer pocket of the Filter Insert. Insert the tension rod measured for the bottom into the multi-layer pocket.



Step 6: When you insert the rods into the curb inlet opening, pinch the 2" of excess filter material at each end of the tension rods between the end of the rod and the wall of the opening. This will keep the Filter Insert tight and help seal off the edges. On the bottom tension rod you only need to secure a single layer of filter material between the end of the rod and the wall of the opening.



Step 7: Insert the Rods and the Filter Insert into the curb inlet opening so that the top rod in the single layer pocket is 1" from the top of the opening. (This 1" area left open allows any high water events to have an emergency overflow to prevent back-up or flooding) Make sure the bottom rod in the multi-layer pocket is installed at the bottom of the opening. Once the bottom rod is in place, it needs to be pressed down firmly against the bottom of the opening to allow the multi-layers of filter material to "seal off" the bottom portion of the drain.

Step 8: With the bottom rod and Filter Insert firmly pressed down onto the bottom of the catch basin opening, adjust the top rod so that the Fabric Insert is taut. Use care not to pull so hard that you pull the bottom rod and Filter Insert off the bottom of the catch basin opening.

REPLACEMENT INFORMATION: Inspect the unit after each storm event and remove any sediment or debris collected by the unit. Pinch the filter material in various locations to determine if the filter material is saturated with oil or not. If it has become saturated throughout with oil and other hydrocarbons, remove the Filter Insert and replace it reusing the tension rods. Dispose of the oil saturated filter material according to local regulations.