



Assembly Instructions & Parts List

- Ultra-Hard Top P8 Plus – 9650, 9651
- Ultra-Hard Top P12 Plus – 9652, 9653
- Ultra-Hard Top P16 Plus – 9654, 9655
- Ultra-Hard Top P20 Plus – 9656, 9657
- 4-Drum Hard Top Extension Kit – 9658, 9659



Shown: 9652 – 12 Drum Ultra-Hard Top P12 Plus assembled

***Note:** 2 people will be required to assemble any of the roll top configurations

Tools required:

- 9/16" Deep Well Socket & Ratchet
- 2 - 9/16" Wrenches
- Caulking Gun
- Hammer or Mallet

03/17/04
Rev.#1



Index:

Preface _____ Page 3

Exploded Views for the
8 Drum Roll Top Hardcover Assembly _____ Page 4-5

Parts List for the
8 Drum Roll Top Hardcover Assembly _____ Page 6

Exploded Views for the
12 Drum Roll Top Hardcover Sub Assembly (Part 1) _____ Page 7-8

Parts List for the
12 Drum Roll Top Hardcover Sub Assembly (Part 1) _____ Page 9

Exploded Views for the
12 Drum Roll Top Hardcover Sub Assembly (Part 2) _____ Page 10-11

Parts List for the
12 Drum Roll Top Hardcover Sub Assembly (Part 2) _____ Page 12

Exploded Views for the
Add-on Roll Top Hardcover Assembly _____ Page 13-14

Parts List for the
Add-on Roll Top Hardcover Assembly _____ Page 15

Assembly Instructions _____ Page 16-25



Preface:

9650 & 9651 – Ultra-Hard Top P8 Plus

This unit comes as one 4 Drum unit with one Extender Kit.

- Please refer to the Figure 1 & 2 and parts list on Pages 4-6.

9652 & 9653 – Ultra-Hard Top P12 Plus

This unit comes as two 4 Drum units and one Extender Kit

Each 4 drum unit will consist of one End Wall and one Interior wall

- Please refer to Figures 3,4,5 & 6 and parts list on pages 7-12.
- Follow the assembly instructions starting with Step 13 on page 21 when adding the End Wall unit to complete the assembly.

9654 & 9655 – Ultra-Hard Top P16 Plus

This unit comes as two 4 Drum units and two Extender Kits

Each 4 drum unit will consist of one End Wall and one Interior wall

- Please refer to Figures 3,4,5 & 6 and parts list on pages 7-12.
- Follow the assembly instructions starting with Step 13 on page 21 when adding the End Wall unit to complete the assembly.

9656 & 9657 – Ultra-Hard Top P20 Plus

This unit comes as three 4 Drum units and two Extender Kits

Two 4 drum unit will consist of one End Wall and one Interior wall and one 4 drum unit will consist of two interior walls

- Please refer to Figures 3,4,5 & 6 and parts list on pages 7-12.
- Follow the assembly instructions starting with Step 13 on page 21 when adding the End Wall unit to complete the assembly.

9658 & 9659 – 4-Drum Hard Top Extension Kit

This unit comes unassembled.

It is used to add on to any 8,12,16,20, etc... existing assembly.

- Please refer to the Figure 7 & 8 and parts list on Pages 13-15.
- Follow the assembly instructions starting with
 - 1) Step 1 on page 16 if assembling an Add-on Roll Top Hardcover to an existing unit that has already been fully assembled.
*Note: Requires some disassembling first to add on.

2) Step 5 on page 17 if adding an Add on Roll Top Hardcover to a unit that has an interior wall exposed.

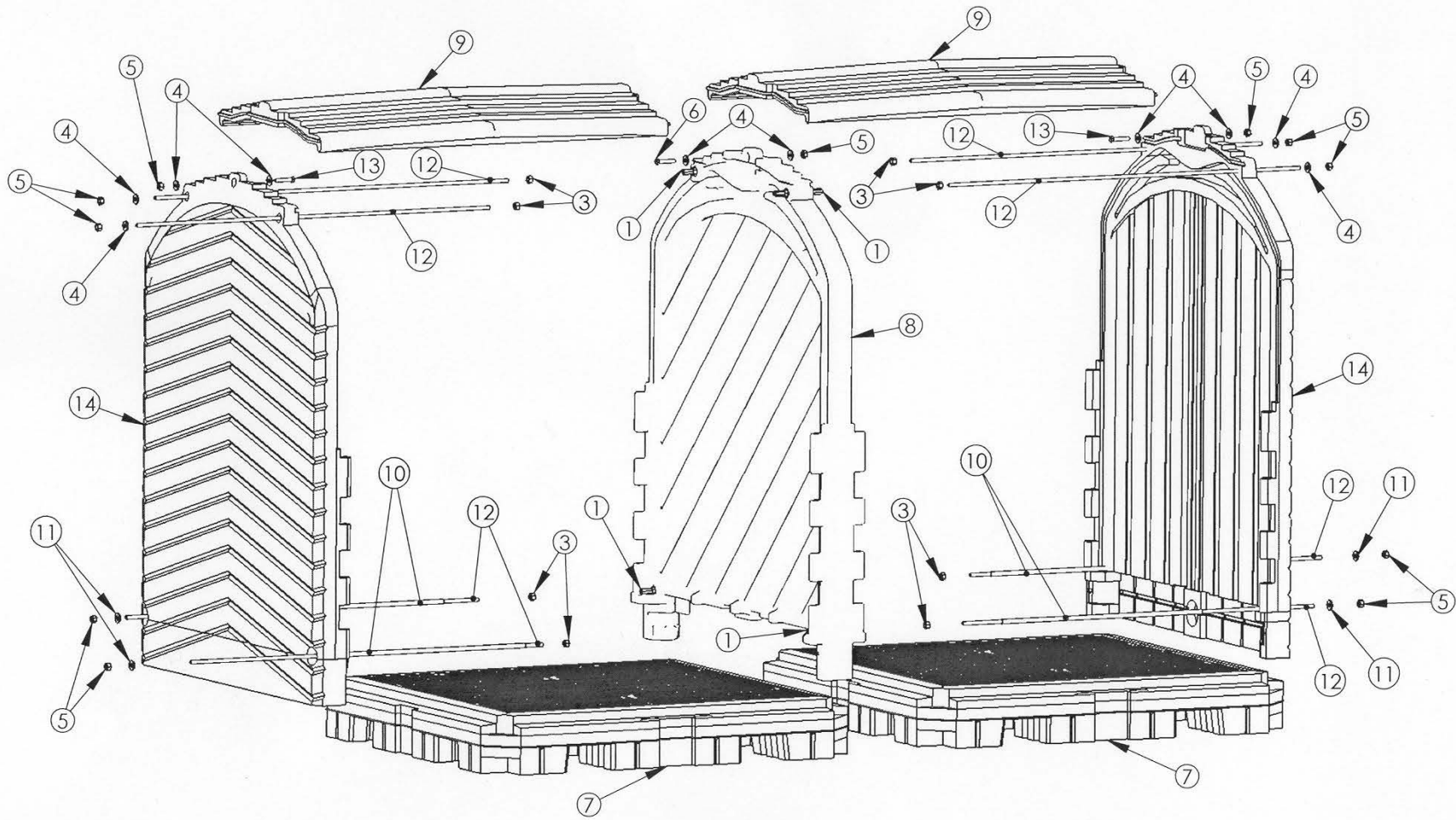


FIG. 1

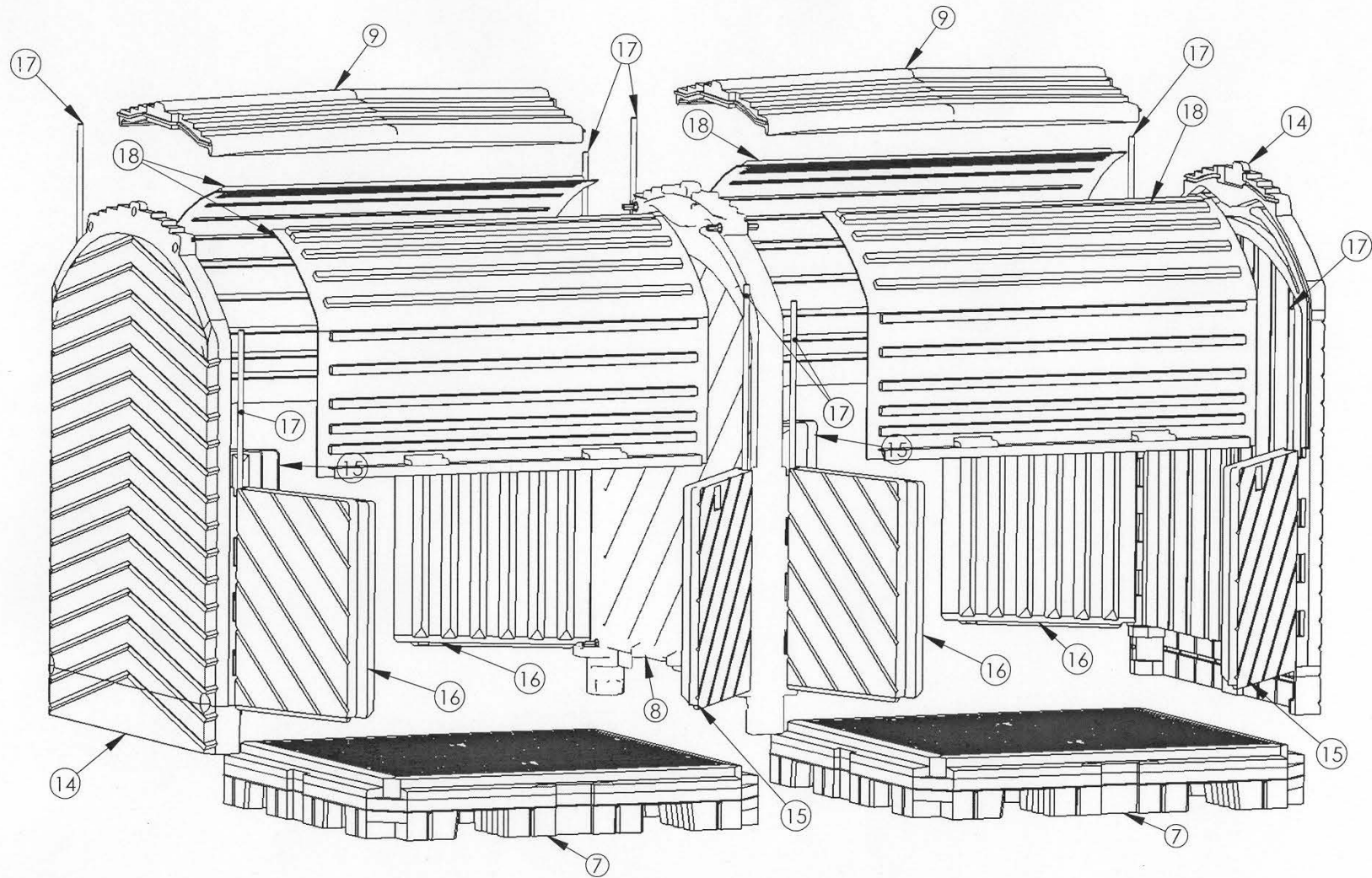


FIG. 2



8 Drum Hardware and Parts Assembly List

Figure 1 & 2

	Description	Qty
*1	Interior Wall Nut Assembly	4
3	3/8"-16UNC Hex Nut	8
4	3/8" Flat Washer	10
5	3/8"-16UNC Nylon Hex Locknut	11
6	3/8"-16UNC x 3" Hex Head Bolt	1
7	4 Drum Heavy Duty Pallet Sump W/Grates	2
8	Interior Wall	1
9	Roof	2
10	Black Plastic Rod Cover	4
11	3/8"x 1-1/2" Flat Washer	4
12	3/8"-16UNC x 59-1/2"L Threaded Rod	8
13	3/8"-16UNC x 2" Hex Head Bolt	2
14	End Wall	2
15	Right Hand Door	4
16	Left Hand Door	4
17	Hinge Pin Tube	8
18	Roll Door	4
*19	1/4"-20UNC x 1-1/4" Allen Head Bolt (Not Shown)	12
*20	1/4"-20UNC Nylon Locknut (Not Shown)	12
*21	1/2" EMT Conduit x 56-3/8" Long (Not Shown)	4
22	Black Plastic Caps	10
23	Caulk (if not assembled)	2

***Note: Part 1 is factory installed on the Interior Wall (8).**

Parts 19,20&21 are factory installed on the roll door (18).

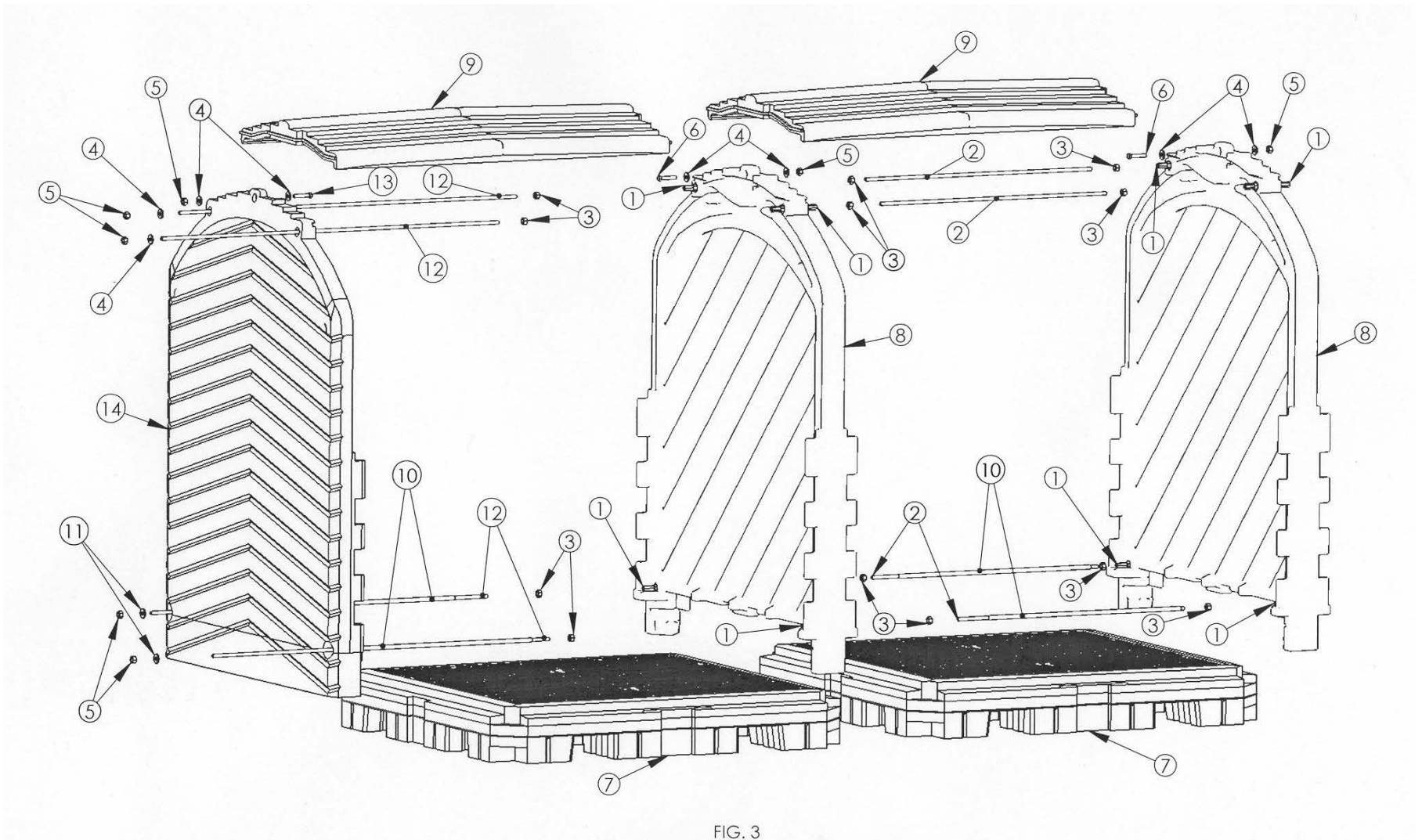


FIG. 3

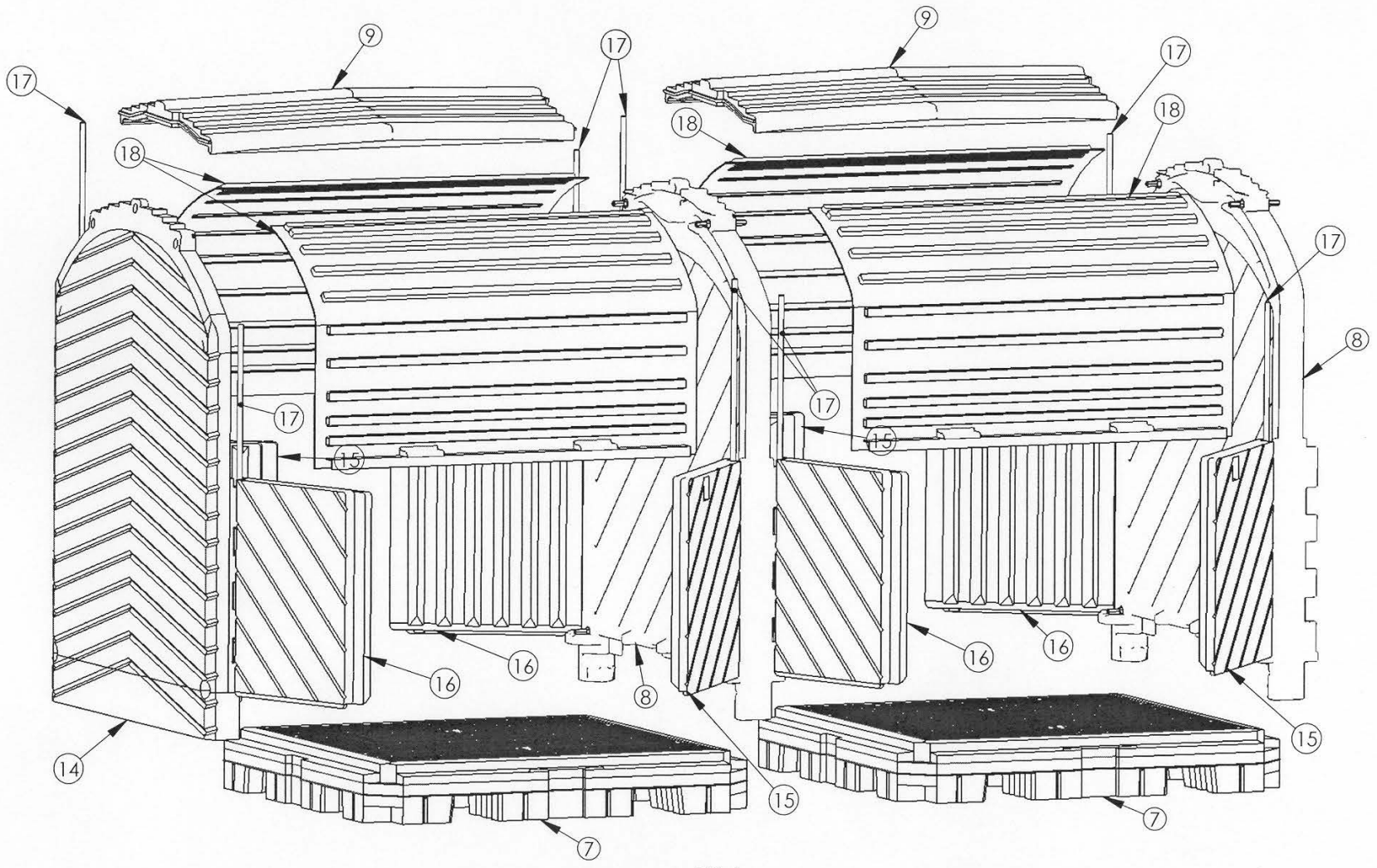


FIG.4



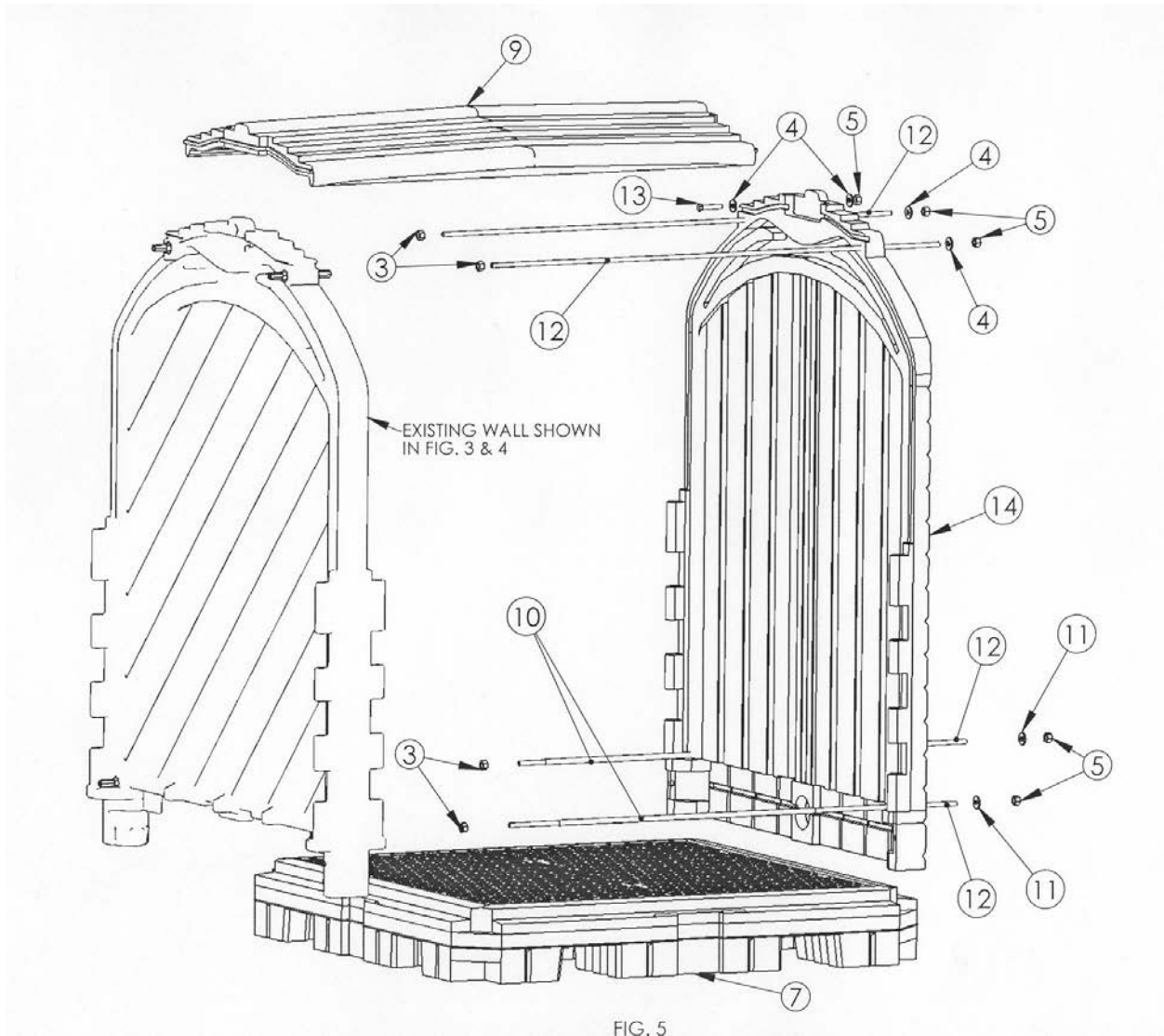
12 Drum (Part 1) Hardware and Parts Assembly List

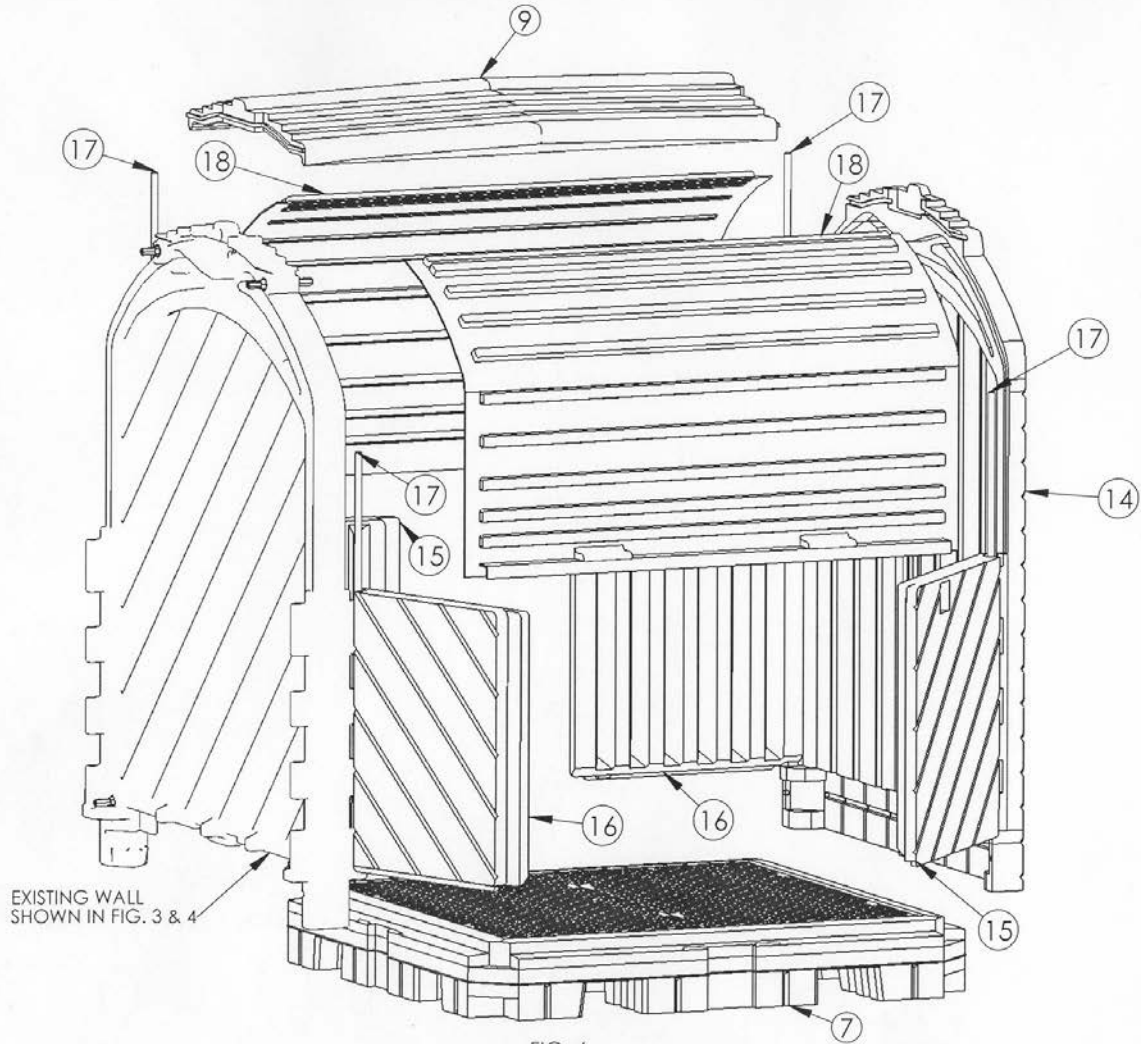
Figure 3 & 4

	Description	Qty
*1	Interior Wall Nut Assembly	8
2	3/8"-16UNC x 56"L Threaded Rod	4
3	3/8"-16UNC Hex Nut	12
4	3/8" Flat Washer	8
5	3/8"-16UNC Nylon Hex Locknut	7
6	3/8"-16UNC x 3" Hex Head Bolt	2
7	4 Drum Heavy Duty Pallet Sump W/Grates	2
8	Interior Wall	2
9	Roof	2
10	Black Plastic Rod Cover	4
11	3/8"x 1-1/2" Flat Washer	2
12	3/8"-16UNC x 59-1/2"L Threaded Rod	4
13	3/8"-16UNC x 2" Hex Head Bolt	1
14	End Wall	1
15	Right Hand Door	4
16	Left Hand Door	4
17	Hinge Pin Tube	8
18	Roll Door	4
*19	1/4"-20UNC x 1-1/4" Allen Head Bolt (Not Shown)	12
*20	1/4"-20UNC Nylon Locknut (Not Shown)	12
*21	1/2" EMT Conduit x 56-3/8" Long (Not Shown)	4
22	Black Plastic Caps	5
23	Caulk (if not assembled)	2

***Note: Part 1 is factory installed on the interior wall (8).**

Parts 19,20&21 are factory installed on the roll door (18).





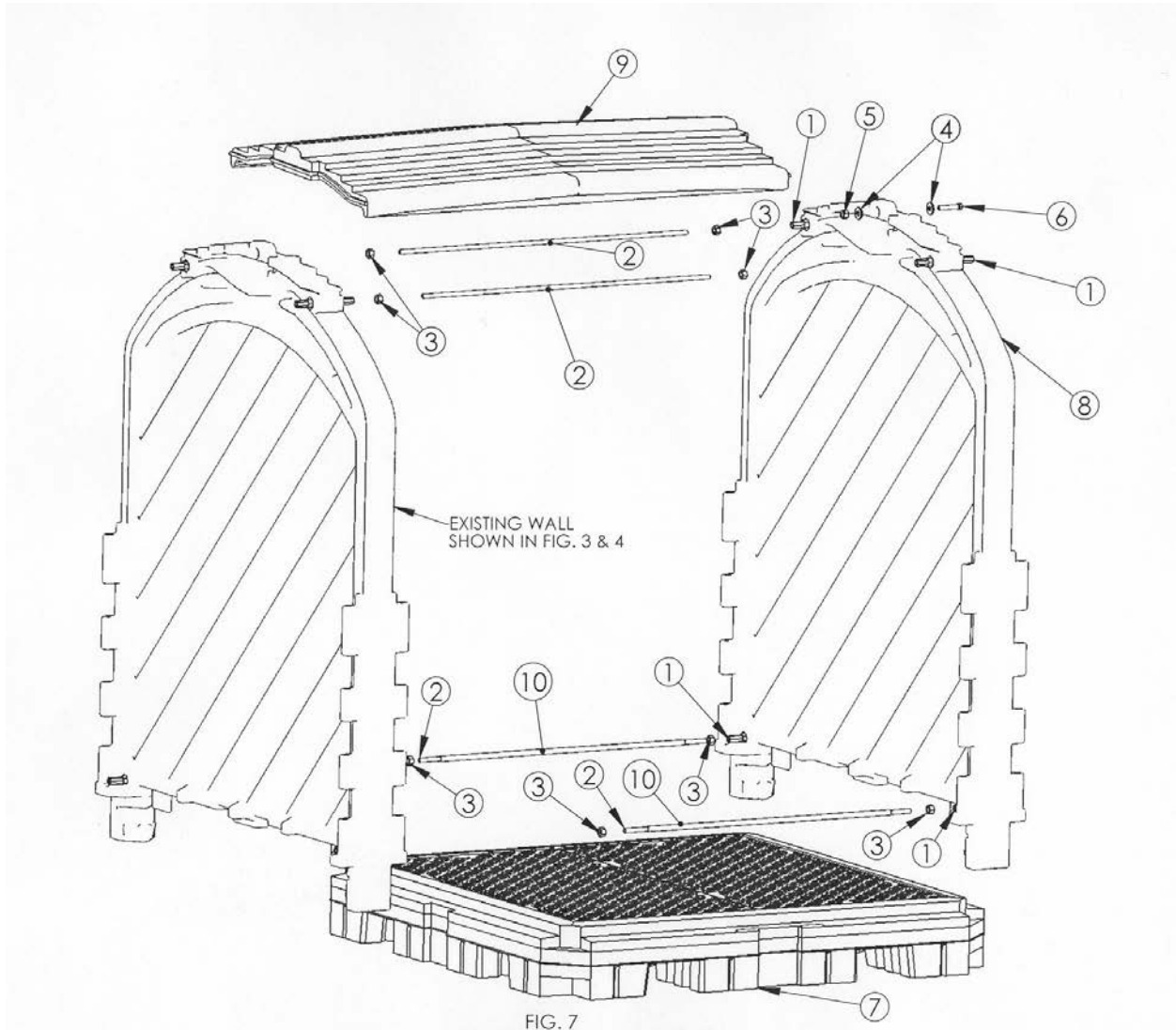


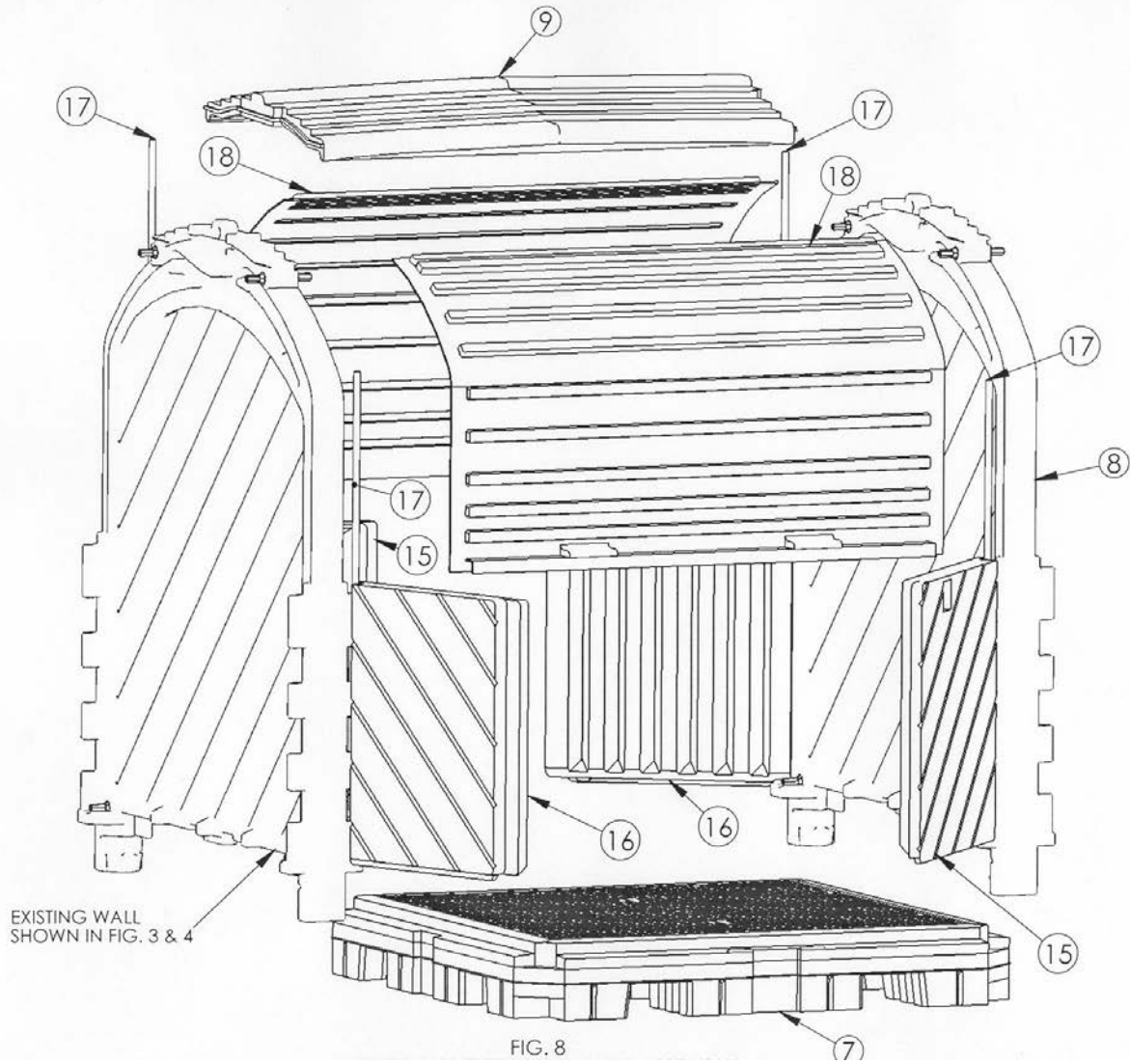
12 Drum (Part 2) End Wall Hardware and Parts Assembly List

Figure 5 & 6

	Description	Qty
3	3/8"-16UNC Hex Nut	4
4	3/8" Flat Washer	4
5	3/8"-16UNC Nylon Hex Locknut	5
7	4 Drum Heavy Duty Pallet Sump W/Grates	1
9	Roof	1
10	Black Plastic Rod Cover	2
11	3/8"x 1-1/2" Flat Washer	2
12	3/8"-16UNC x 59-1/2"L Threaded Rod	4
13	3/8"-16UNC x 2" Hex Head Bolt	1
14	End Wall	1
15	Right Hand Door	2
16	Left Hand Door	2
17	Hinge Pin Tube	4
18	Roll Door	2
*19	1/4"-20UNC x 1-1/4" Allen Head Bolt (Not Shown)	6
*20	1/4"-20UNC Nylon Locknut (Not Shown)	6
*21	1/2" EMT Conduit x 56-3/8" Long (Not Shown)	2
22	Black Plastic Caps	5
23	Caulk	2

***Note: Parts 19,20&21 are factory installed on the roll door (18).**







Interior Wall Hardware and Parts Assembly List

Figure 7 & 8

	Description	Qty
*1	Interior Wall Nut Assembly	4
2	3/8"-16UNC x 56"L Threaded Rod	4
3	3/8"-16UNC Hex Nut	8
4	3/8" Flat Washer	2
5	3/8"-16UNC Nylon Hex Locknut	1
6	3/8"-16UNC x 3" Hex Head Bolt	1
7	4 Drum Heavy Duty Pallet Sump W/Grates	1
8	Interior Wall	1
9	Roof	1
10	Black Plastic Rod Cover	2
15	Right Hand Door	2
16	Left Hand Door	2
17	Hinge Pin Tube	4
18	Roll Door	2
*19	1/4"-20UNC x 1-1/4" Allen Head Bolt (Not Shown)	6
*20	1/4"-20UNC Nylon Locknut (Not Shown)	6
*21	1/2" EMT Conduit x 56-3/8" Long (Not Shown)	2
23	Caulk	2

***Note: Part 1 is factory installed on the interior wall (8).**

Parts 1,19,20&21 are factory installed on the roll door (18).



PLEASE READ ASSEMBLY INSTRUCTIONS CAREFULLY

- Step 1** Remove the roll door (18) by pulling the bottom edges through the notches in the walls until it comes out the whole way. Repeat for the opposite side. Take a pair of channel locks or pliers and pull out the hinge pin tube (17) from the hinged door (15 or 16). Repeat for the other three doors.



- Step 2** Remove the top two bolts (6 & 13) that fasten the roof to the walls. (See Figure 1) Make sure to save this hardware. It will be needed later in the assembly.





- Step 3** Loosen the jam nuts (3) on the 4 threaded rods (12) on the inner side of walls on the unit. Then hold the nut assembly (1) from turning with a 9/16" wrench, while the outer nuts (5) are taken off. (Note: The threaded rod may come off as well. The threaded rod must be removed anyways.) Make sure you remove the top 2 nuts/threaded rods first. This will allow the roof to be removed safely. Save these rods and hardware for Step 14

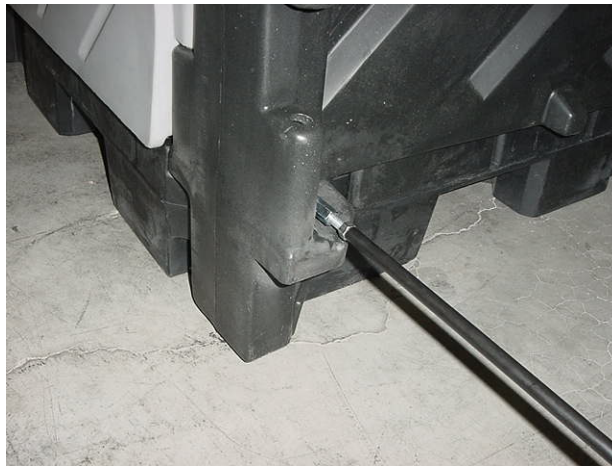


- Step 4** Once the end wall (14) is removed, clean the caulking out of the grooves of both walls and off the tongues of the roof. Also slide the pallet (7) away from the unit.



Step 5 Install the four threaded rods (2) into the interior wall nut assembly (1) on the existing interior wall (8), threading them in about $\frac{1}{4}$ ". Make sure the jam nut (3) is backed off about 1". The black covered threaded rods with jam nuts (2,3 &10) go on the bottom.

Note: The jam nuts (3) and black covers (10) should already be on the threaded rods, if not please install them before attaching the threaded rods (2)



Step 6 Slide the pallet (7) back into place. Take the interior wall (8) and place into position on the pallet. Thread the bottom two interior wall nut assemblies (1) onto the black covered threaded rods with jam nuts (2,3& 10) about $\frac{1}{4}$ ". Do not start the top rods at this time.





- Step 7 Thoroughly caulk (23) the interior track of the center walls (8) the full length and depth of the groove that mates with the roof tongue. Caulk as shown in the photograph.



- Step 8 Place the roof (9) into the interior wall grooves. Once the roof is into the grooves, thread the top two interior wall nut assemblies (1) onto the threaded rods (2). Using a 9/16" wrench, hold the interior wall nut assembly (1) on the interior wall (8) from turning, while using a 9/16" socket and ratchet on the outside of the other interior wall. Tighten the unit until the roofline starts to bow. Make sure the roof tongues are in the grooves of the walls. Repeat for the other interior wall nut assembly (1). Tighten the four jam nuts (3) to the interior wall nut assemblies (1) on the top two threaded rods(2).





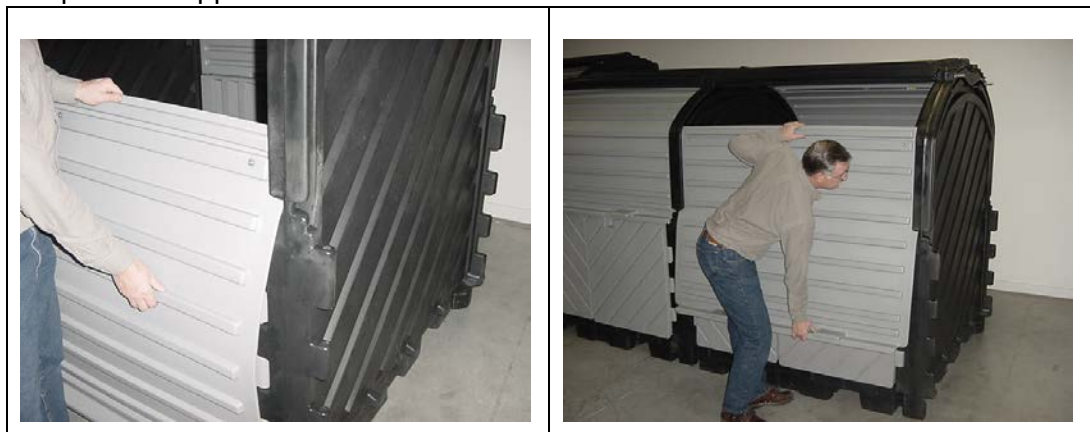
Step 9

Insert hex head bolt(6) with the washer (4) through the interior wall and roofs. (Do not insert a hex bolt (6) on the outer interior wall unit, until the next unit is added on.) Place a 3/8" washer (4) and a locknut (5) on the end of the bolt. Tighten bolt securely to draw the sidewall and roof together (there should not be a gap between the roof and sidewall in this area). Wipe off or smooth out any sealant that may have squeezed out of the seams.



Step 10

Place the top edge of the roll top door (18) into the notches of the sidewalls. (The door may need to be bowed slightly to place the edges into the notches.) Then push the door up into the track, until the entire door is in the track. Once the roll door (18) is in the track slide it down to its closed position. Repeat this step for the opposite side.





Step 11

Align the right door (15) hinge with the mating hinge on the sidewall. Align the door hinge pin holes with the hinge pin holes in the sidewall. Slide the hinge pin tube (17) into the aligned holes (Note: It may be necessary to move the door and tap the hinge pin tube with a hammer until the hinge pin tube is fully seated all the way through the hinge holes.) Repeat this step for the remaining right door (15) and to the remaining left doors (16).



Step 12

Tighten the bottom two threaded rods (2) by turning the interior wall nut assembly (1) from the outer wall and by holding the interior wall nut assembly (1) on the inner wall from turning. These thread rods will be tightened until the hinged doors are evenly gapped about 1/2". Then tighten the four jam nuts (3) to the interior wall nut assemblies (1).





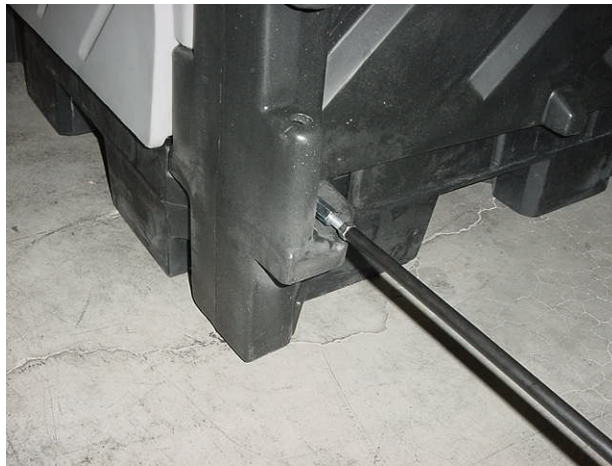
NOTE:

- 1) Repeat Steps 5 through 12 if adding another add on unit.
- 2) If this is the last 4 drum roll top to be added, use the existing sidewall and follow the remaining steps to do so.

Step 13

Install the two bottom threaded rods (12) into the interior wall nut assemblies (1) about $\frac{3}{4}$ " Make sure that the black covers (10) are on the threaded rods (12) and that there are jam nuts (3) on the end that is being installed.

Note: If this is an existing assembly with an interior wall (8) on the end. The hex head bolt (6) and hardware will need to be removed from the roof (9) and interior wall (8). It will be reused in Step 17.



Step 14

Slide the pallet (7) back into place. Take the end wall (14) and place into position on the pallet (7) sliding the threaded rods through the end wall holes . Place a washer (11) and locknut (5) onto the 2 bottom threaded rods (12) and tighten until the wall is secure and won't fall. Then slide the top two threaded rods(12) through the end wall with the washer (4) and locknut (5) attached to the end.





- Step 15 Thoroughly caulk (23) both the center wall (8) and sidewall (14) the full length and depth of the groove that mates with the roof tongue. Caulk as shown in the photograph.



- Step 16 Place the roof (9) into the grooves of the walls (8,14). Once in place, start the top two washer (11) and locknuts(5) onto the threaded rods (12). Using your wrench, hold the interior nut assembly (1) from moving. Then tighten the locknut (5) until the roofline starts to bow. Make sure the roof tongues are in the grooves of the walls. Repeat this for the other threaded rod. Tighten the jams nut (3) against the interior wall nut assemblies (1) on the interior wall (8).





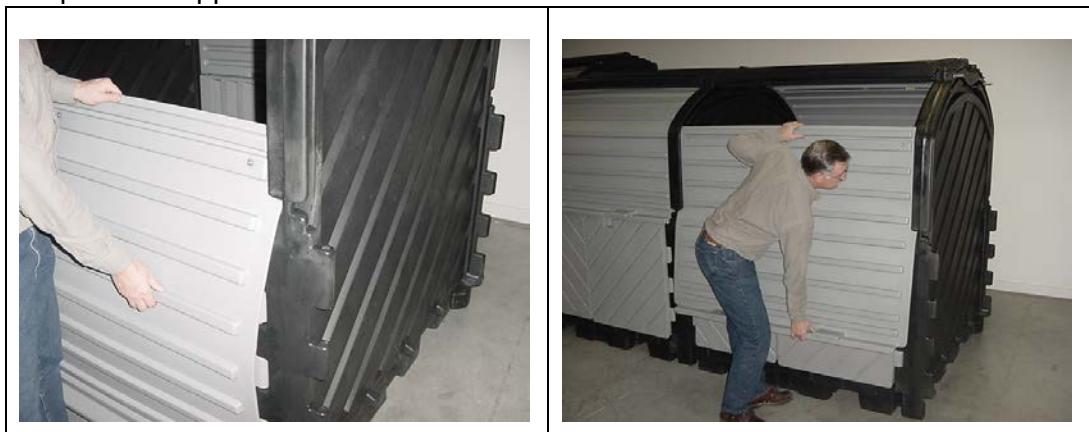
Step 17

Insert hex head bolts(6 &13) with the washers (4) through the walls and roof. Place a 3/8" washer (4) and a locknut (5) on the end of the bolt. Tighten bolts securely to draw the sidewalls and roof together (there should not be a gap between the roof and walls in this area). Wipe off or smooth out any sealant that may have squeezed out of the seams. Note: Hex head bolt (13) goes on the end wall.



Step 18

Place the top edge of the roll top door (18) into the notches of the sidewalls. (The door may need to be bowed slightly to place the edges into the notches.) Then push the door up into the track, until the entire door is in the track. Once the roll door (18) is in the track slide it down to its closed position. Repeat this step for the opposite side.





Step 19

Align the right door (15) hinge with the mating hinge on the sidewall. Align the door hinge pin holes with the hinge pin holes in the sidewall. Slide the hinge pin tube (17) into the aligned holes (Note: It may be necessary to move the door and tap the hinge pin tube with a hammer until the hinge pin tube is fully seated all the way through the hinge holes.) Repeat this step for the remaining right door (15) and to the remaining left doors (16).



Step 20

Tighten the bottom two rods, by holding the interior wall nut assembly (1) from turning. These thread rods (12) will be tightened until the hinged doors are evenly gapped about 1/2". Then tighten the jam nuts (3) to the interior wall nut assembly (1)





Step 21 Place the black plastic caps (22) on the outside exposed threads.

