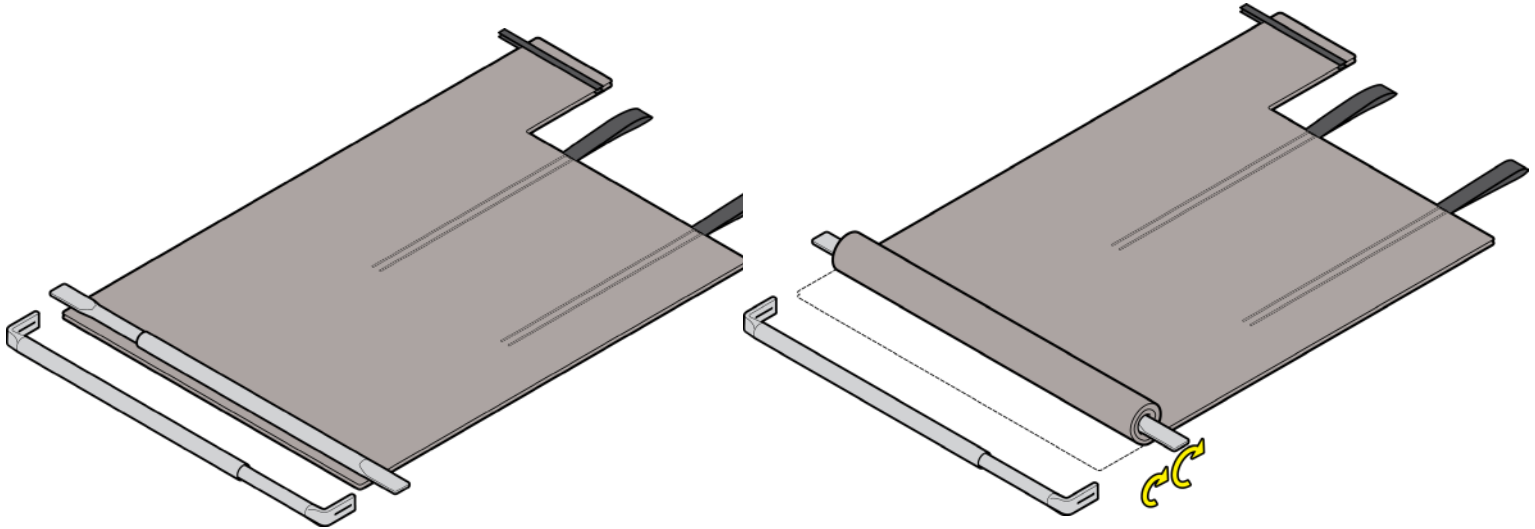




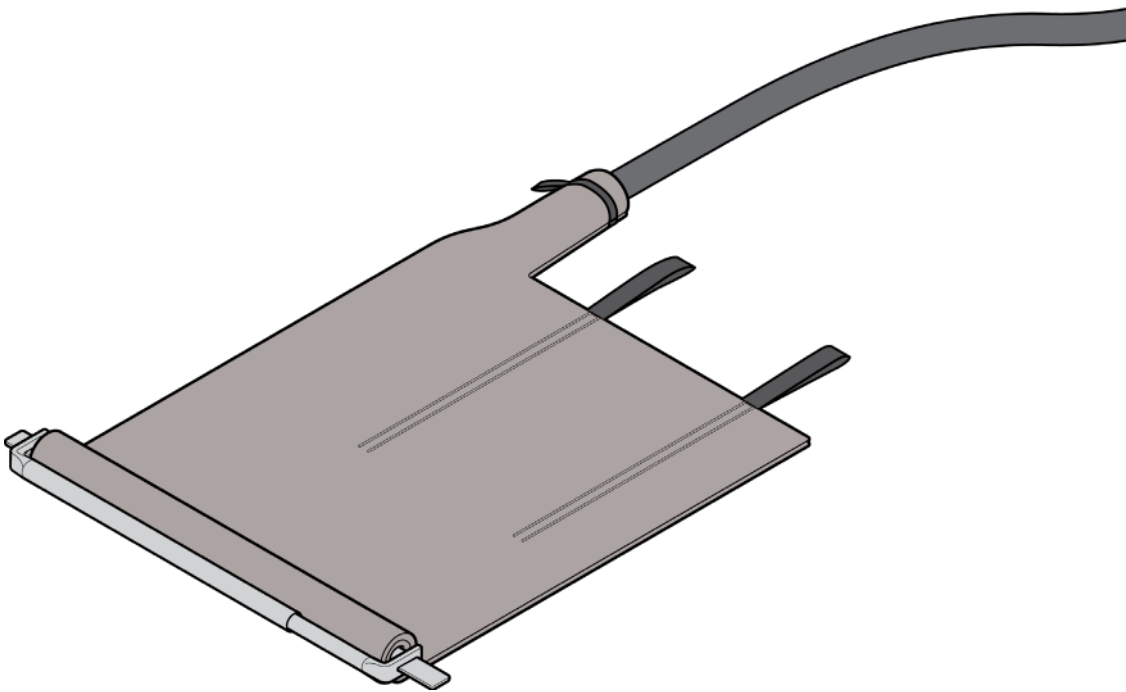
ULTRATECH
INTERNATIONAL, INC.

Ultra-Dewatering Bag[®] Reusable Model Locking Bar Instructions



Step 1: Place the straight bar (flat ends) and locking bar (90 degree bend at both ends) at opposite end from hose opening.

Step 2: Place Straight Bar on top of Dewatering Bag and roll in material 3-4 times.



Step 3: Place flat ends of Straight Bar through slots in ends of Locking Bar and adjust to width of Dewatering Bag. Unit is now ready for use.